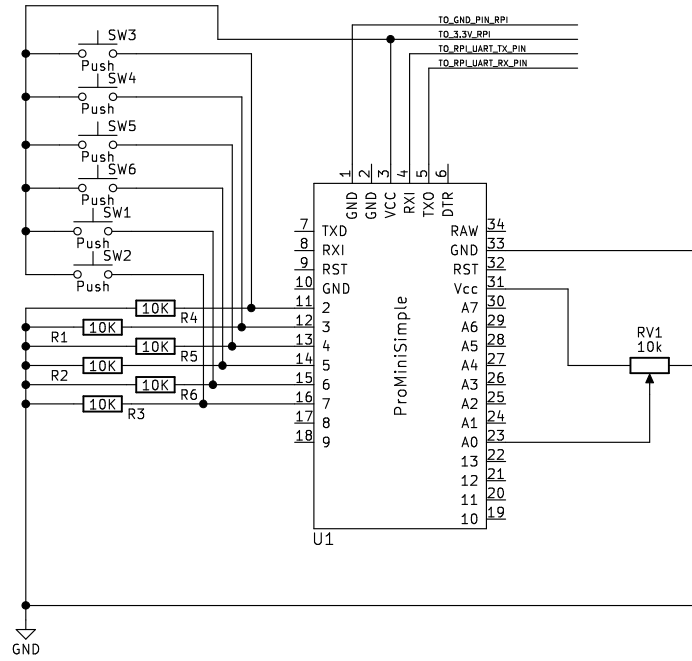


These four lines should go to a raspberry pi (RPI). There should be a program running on the RPI reading the data (commands) being recieved by the UART on the RPI.



Sheet: /
File: Controller Board.sch

Title:

Size: A4
KiCad E.D.A. kicad 4.0.7

Date:

Rev:
Id: 1/1